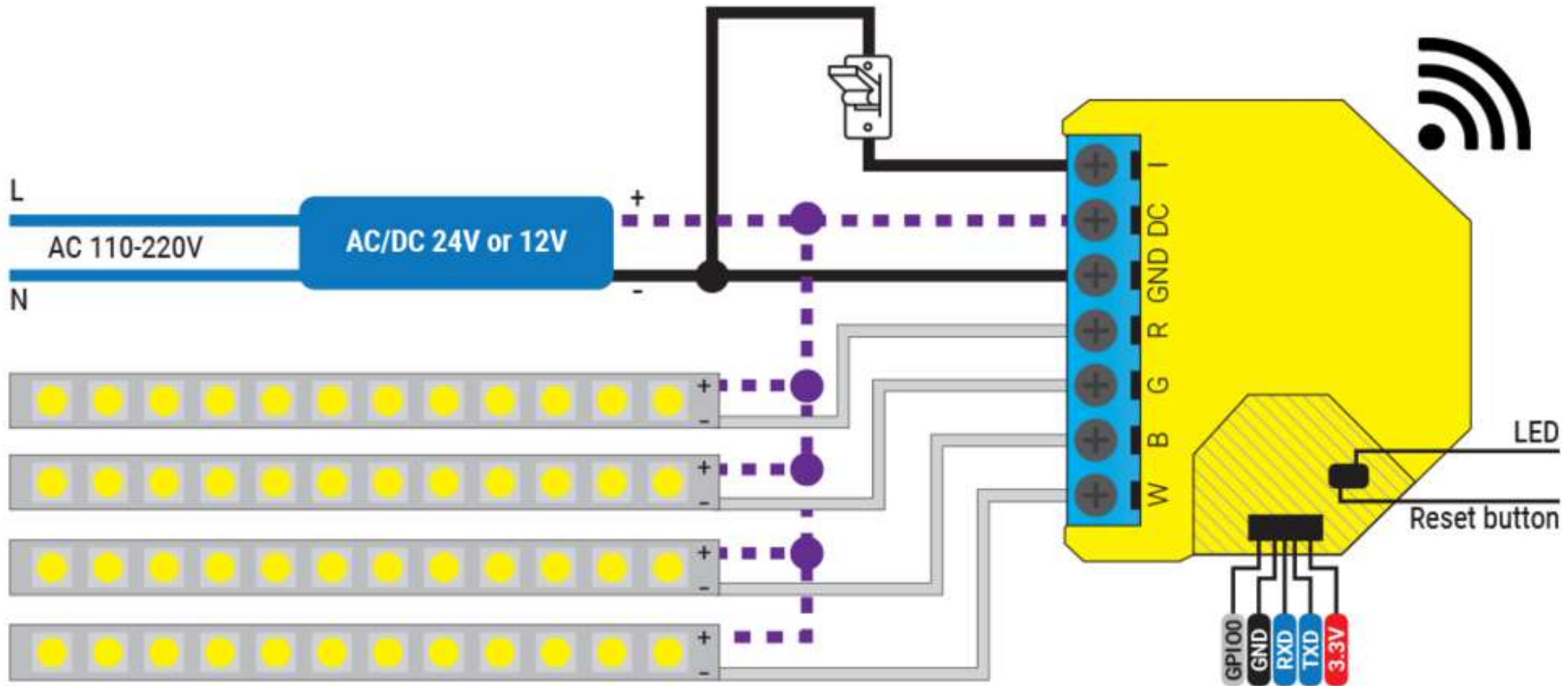
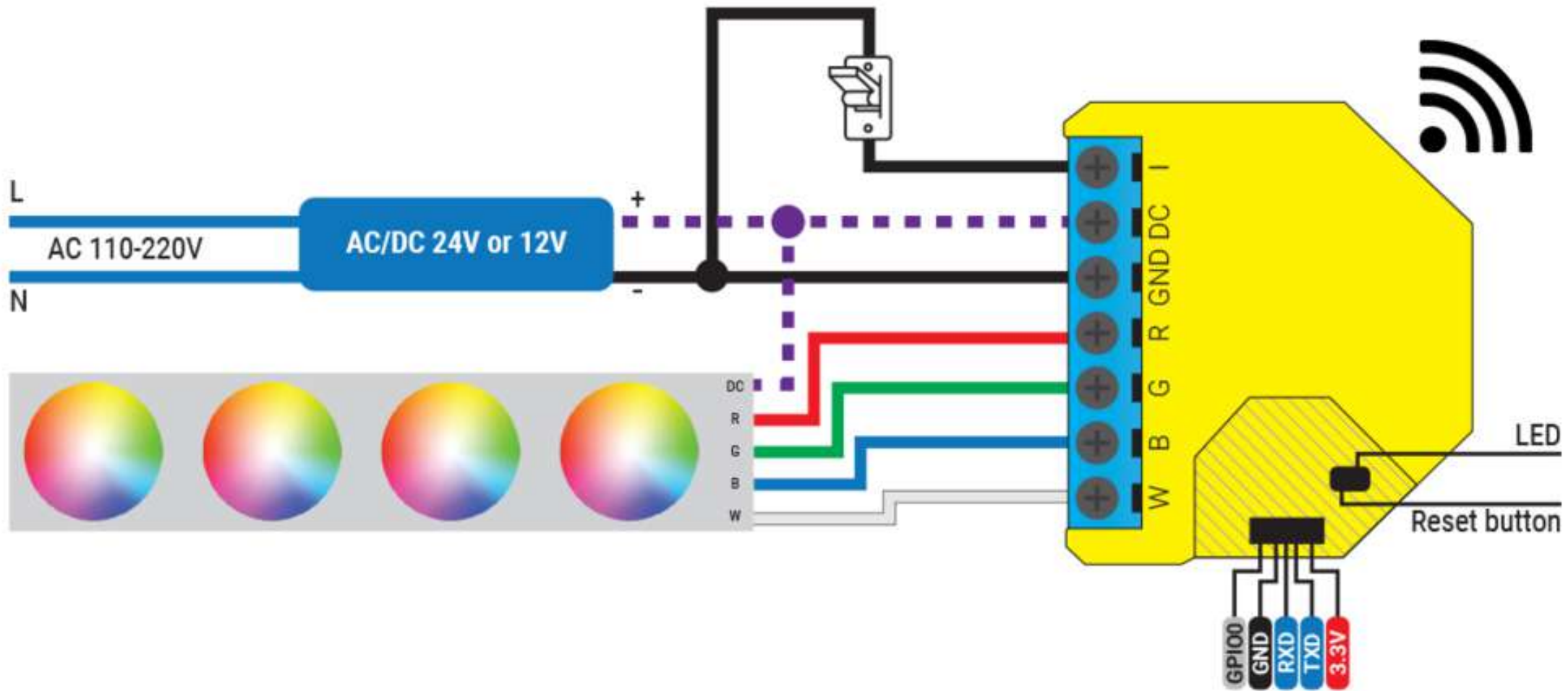


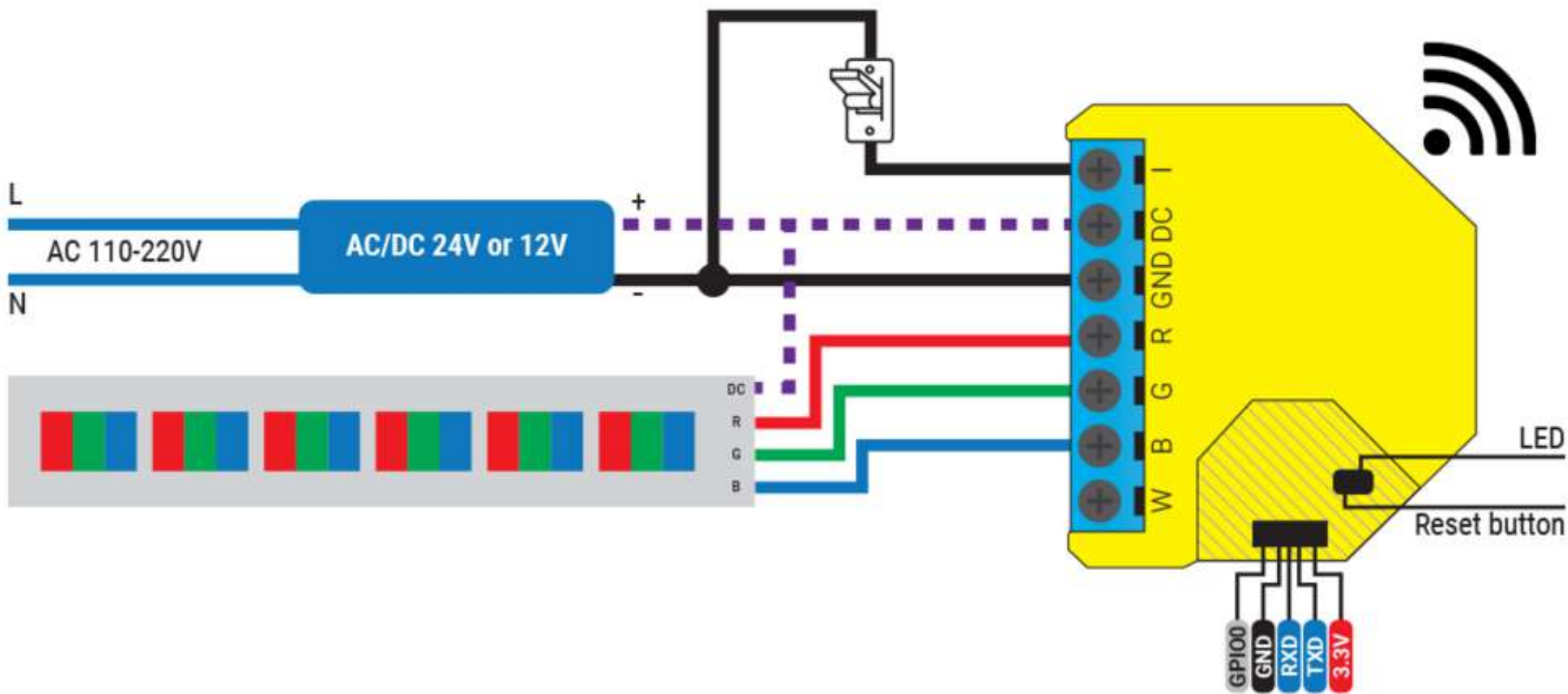
DC (12-24V) on/off/dimming switch



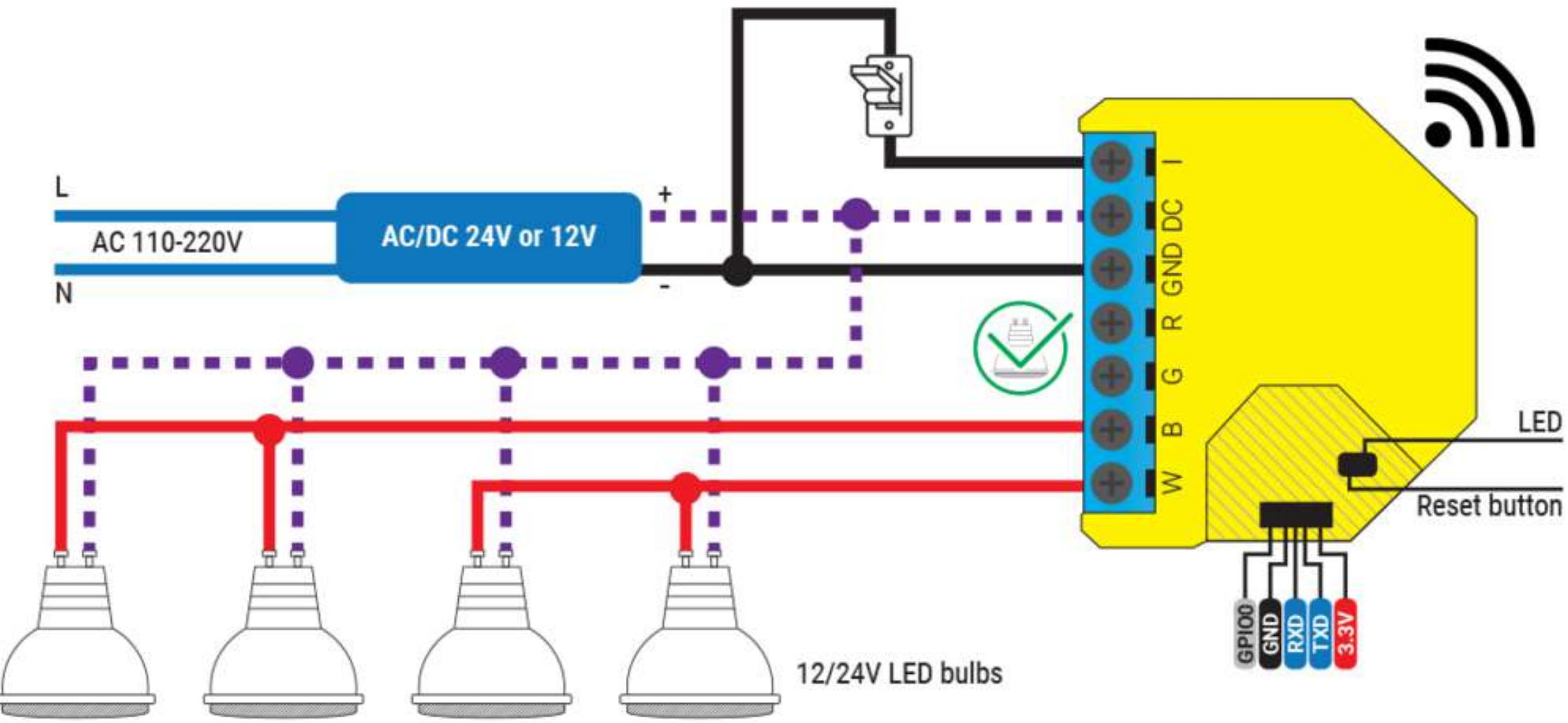
DC (12-24V) on/off/dimming switch

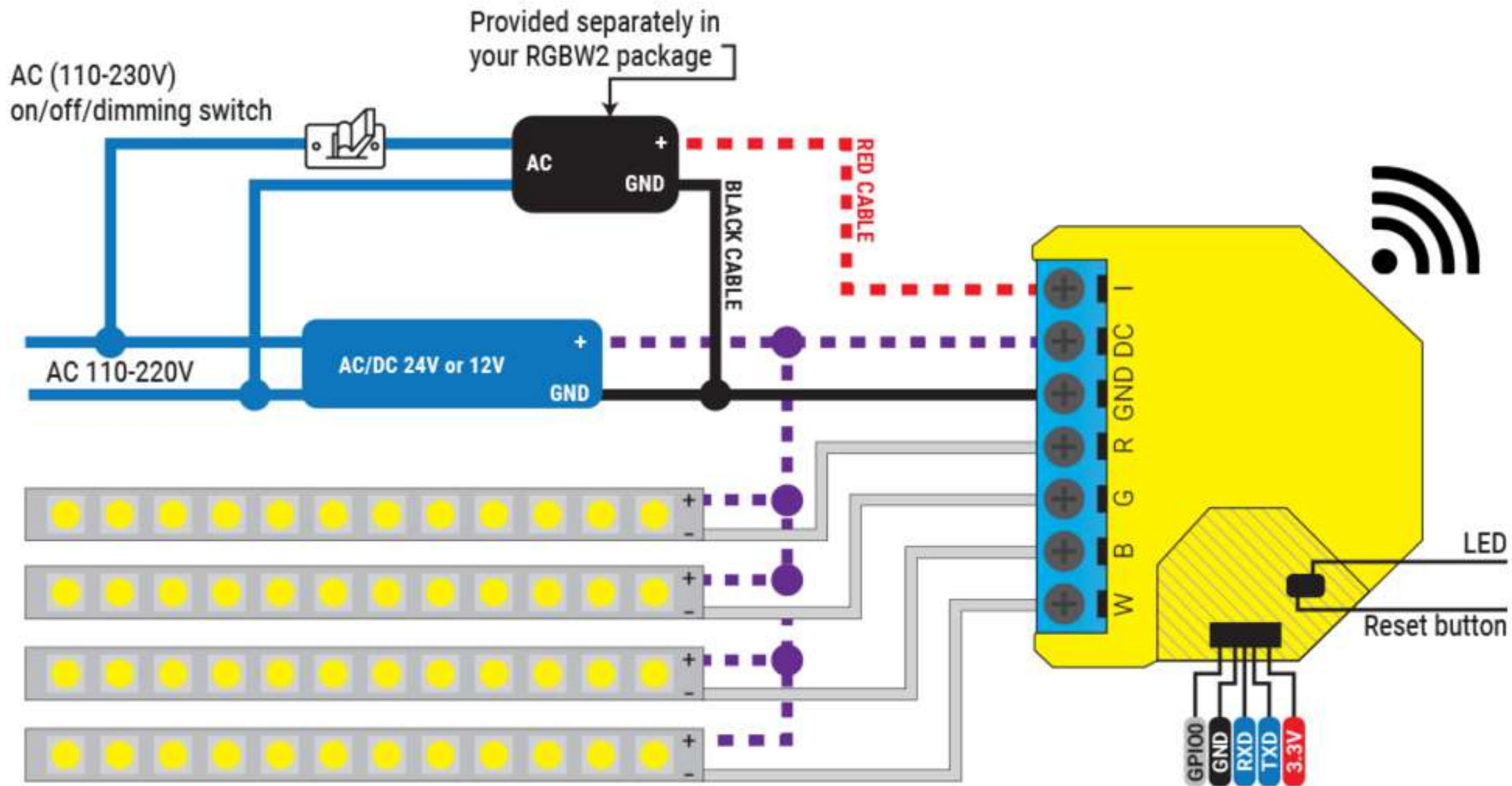


DC (12-24V) on/off/dimming switch



DC (12-24V) on/off/dimming switch





Shelly-Support.eu

AC (110-230V)
on/off/dimming switch

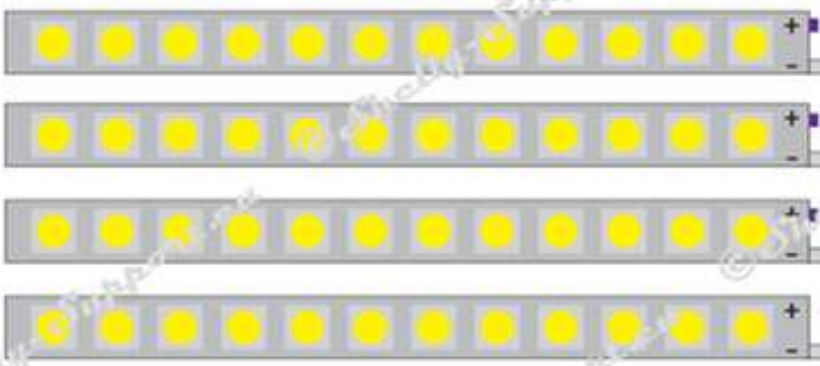


Provided separately in
your RGBW2 package



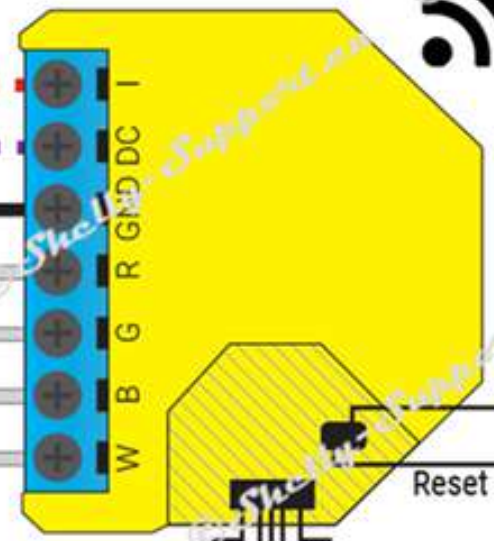
AC 110-220V

AC/DC 24V or 12V
GND



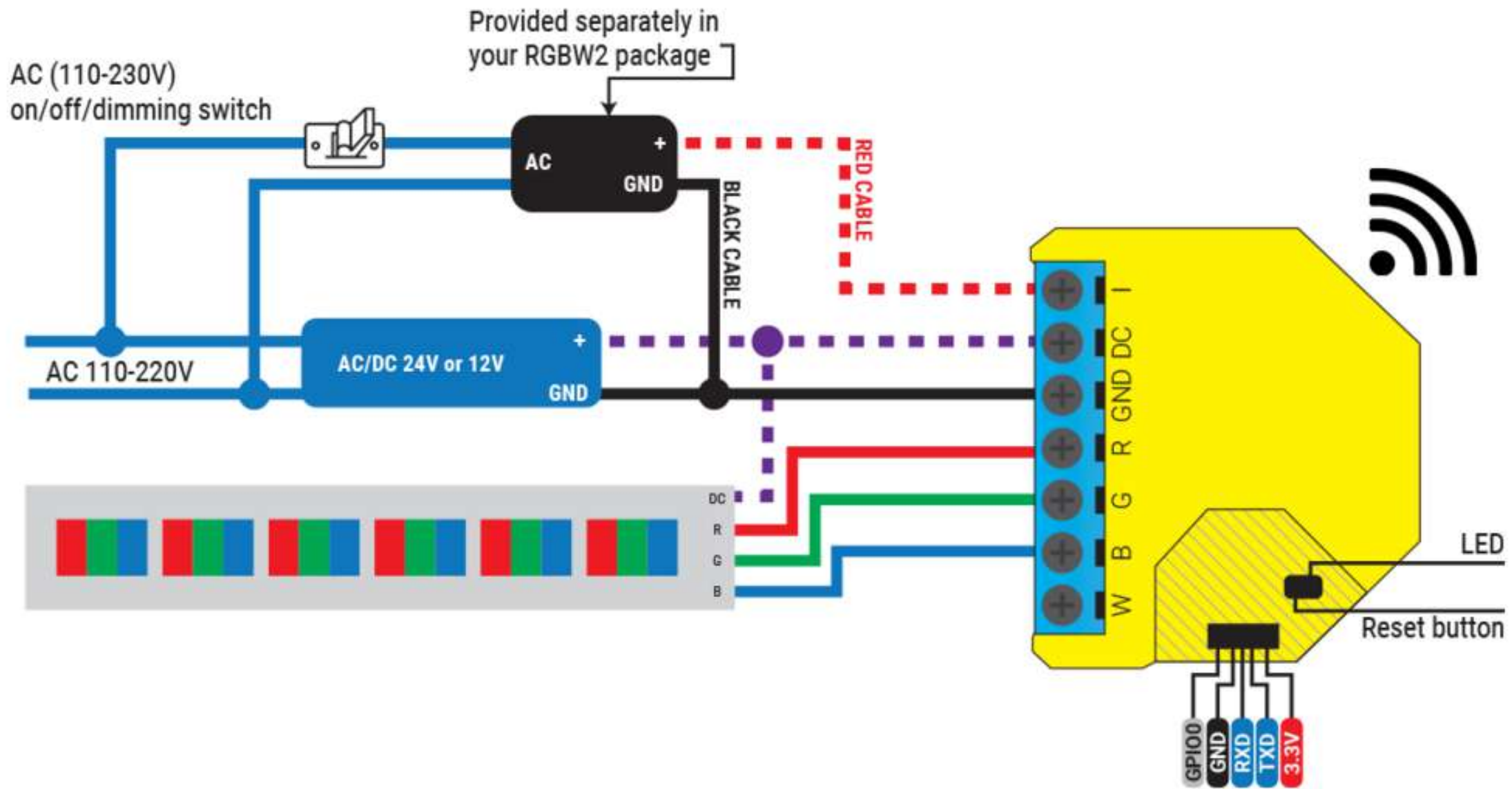
BLACK CABLE

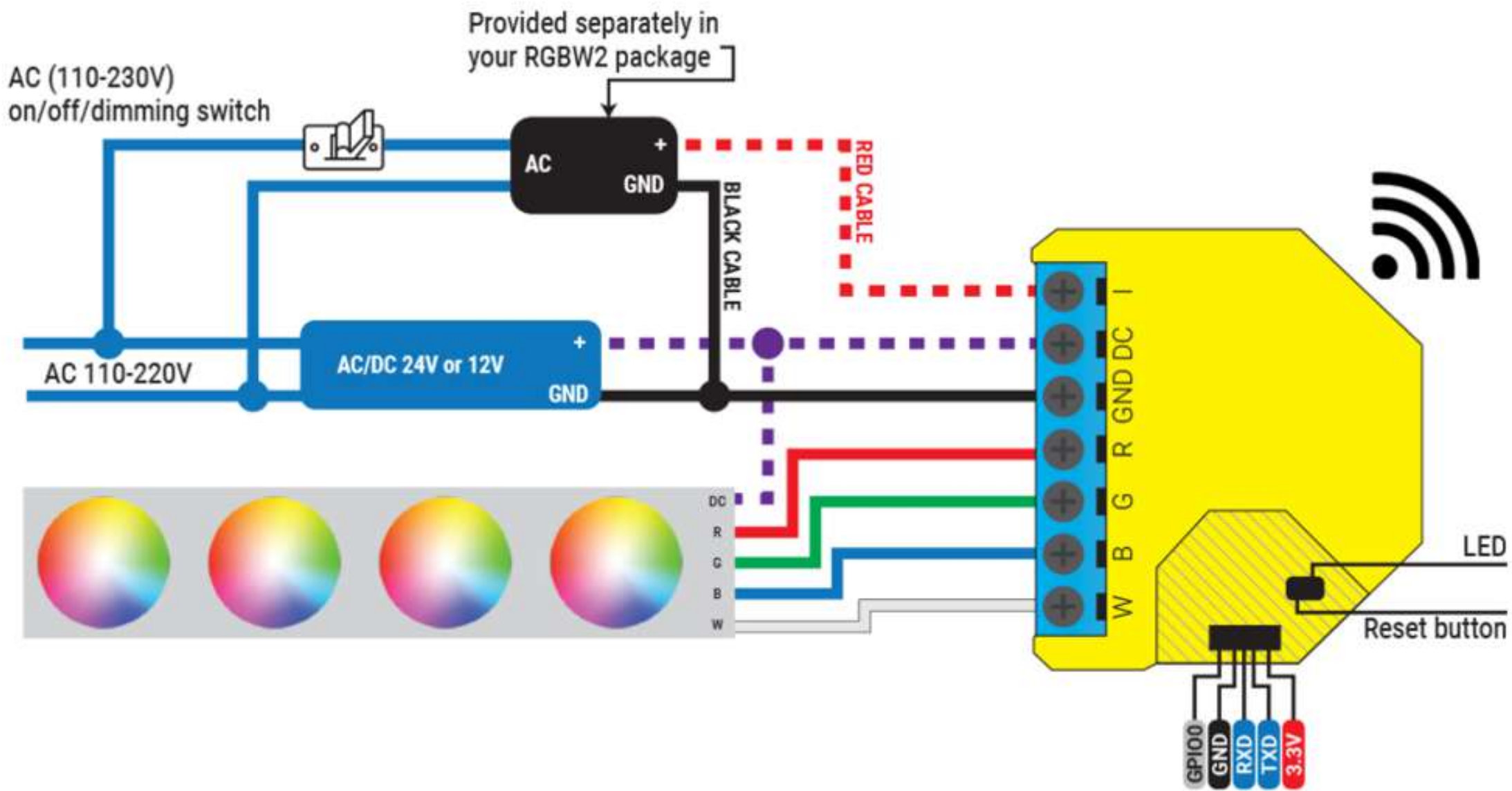
RED CABLE

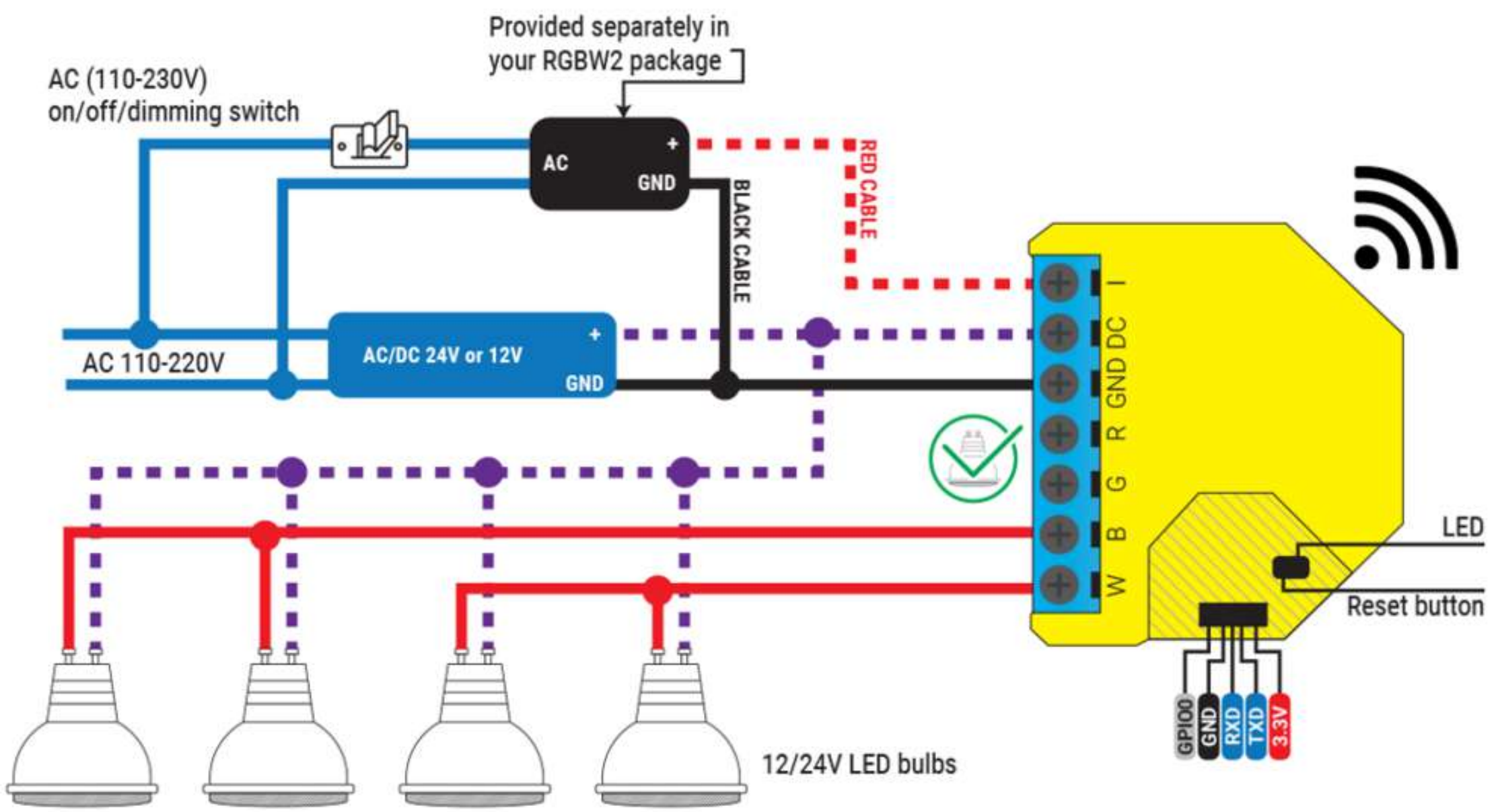


LED
Reset button

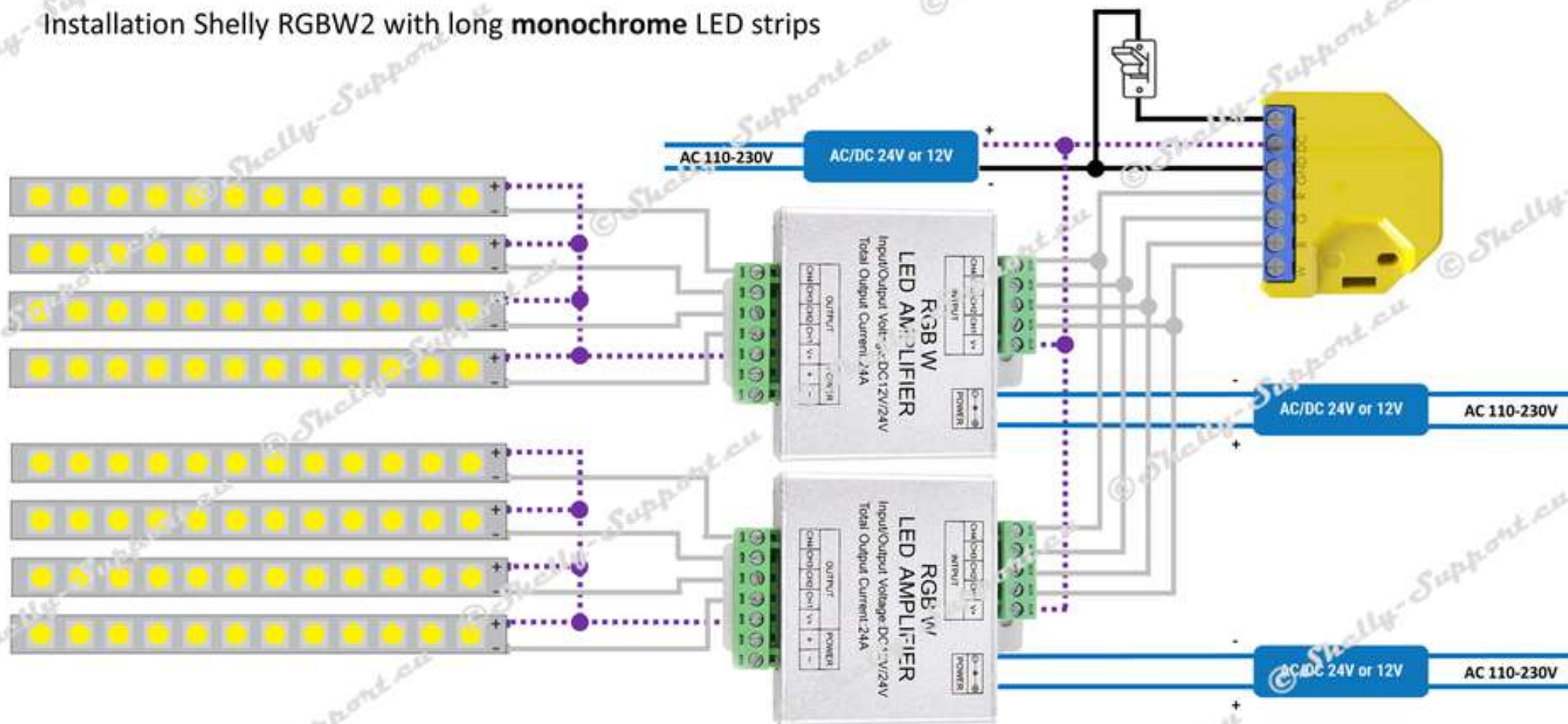




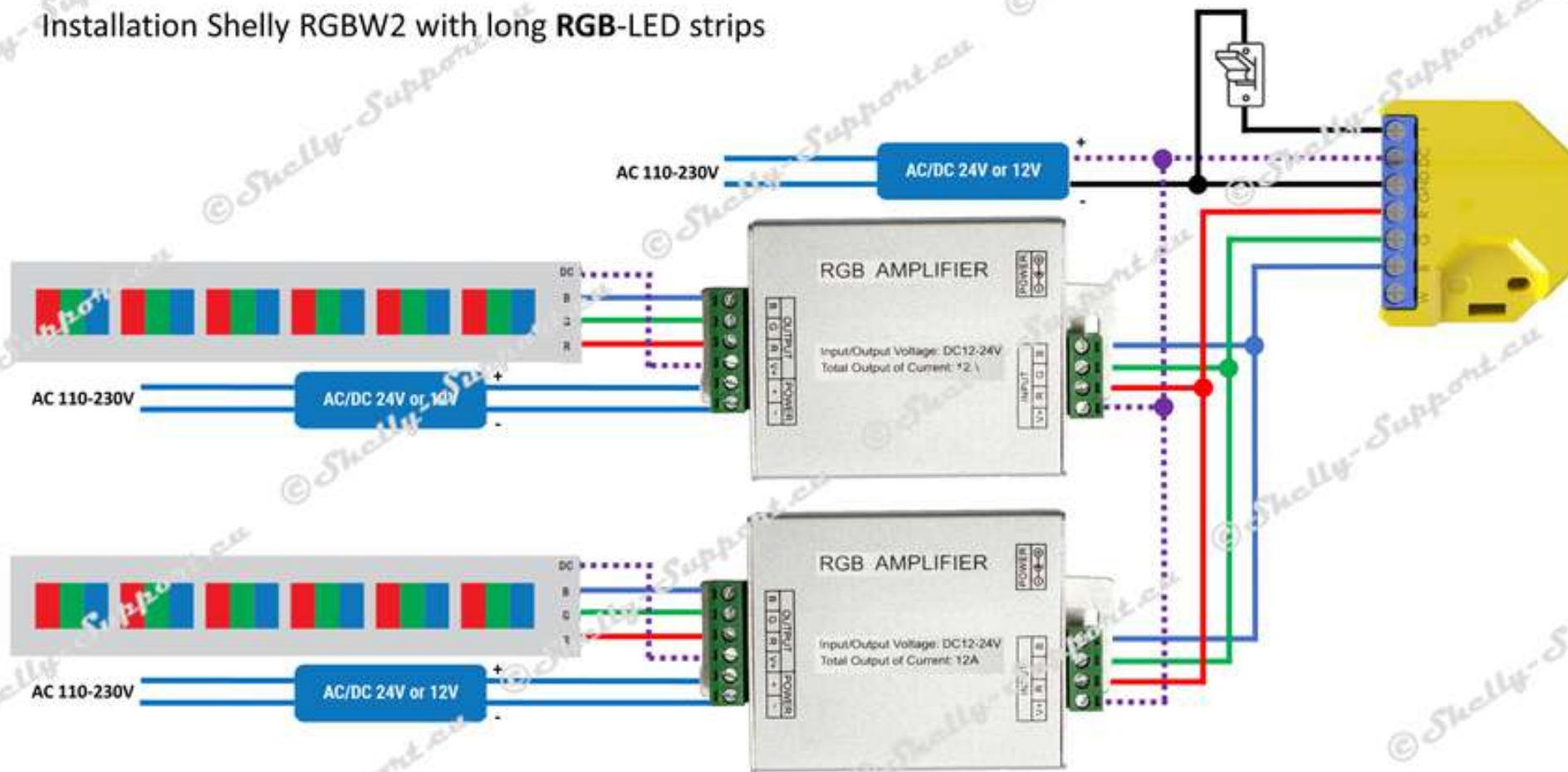




Installation Shelly RGBW2 with long monochrome LED strips

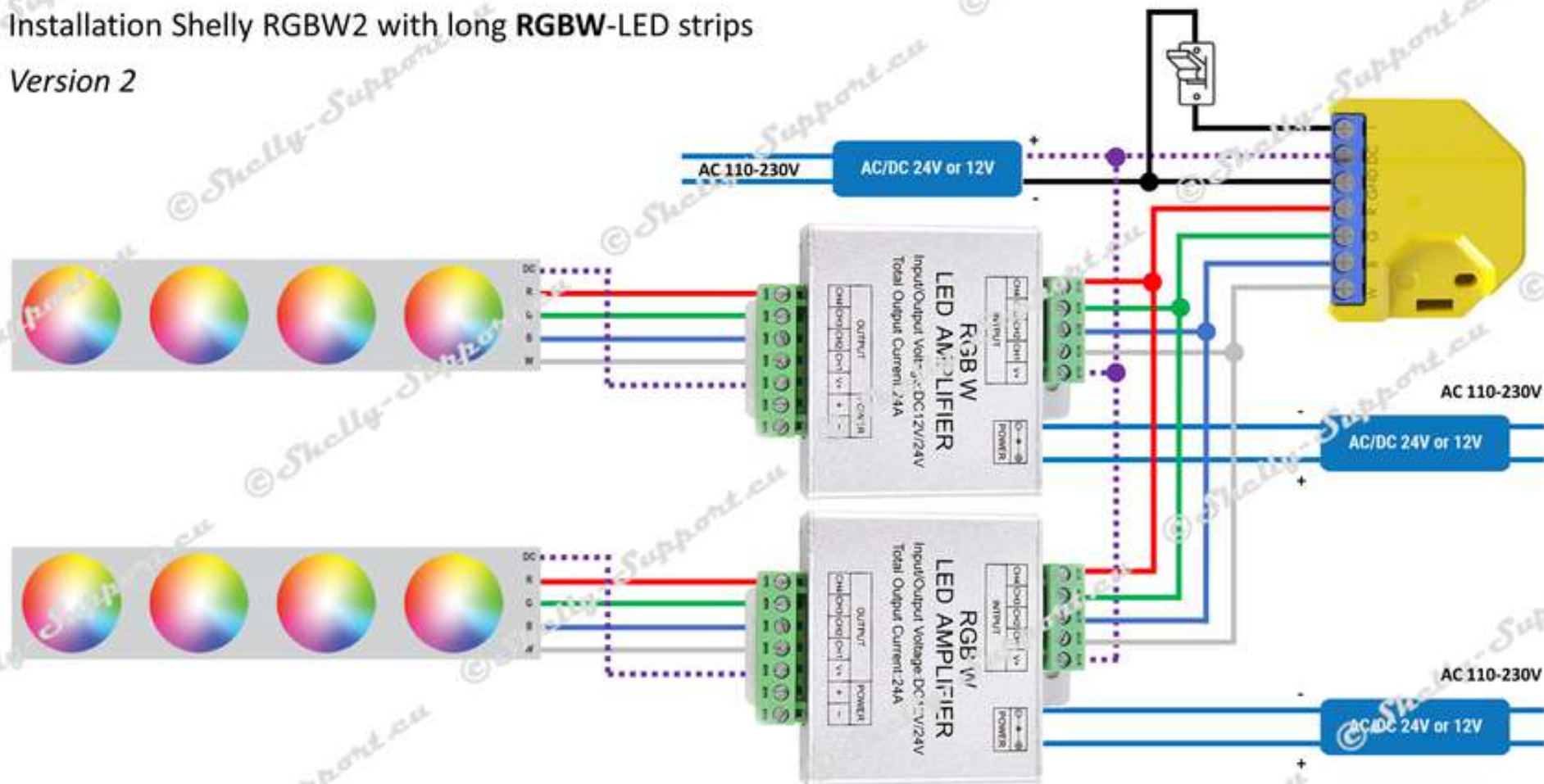


Installation Shelly RGBW2 with long RGB-LED strips



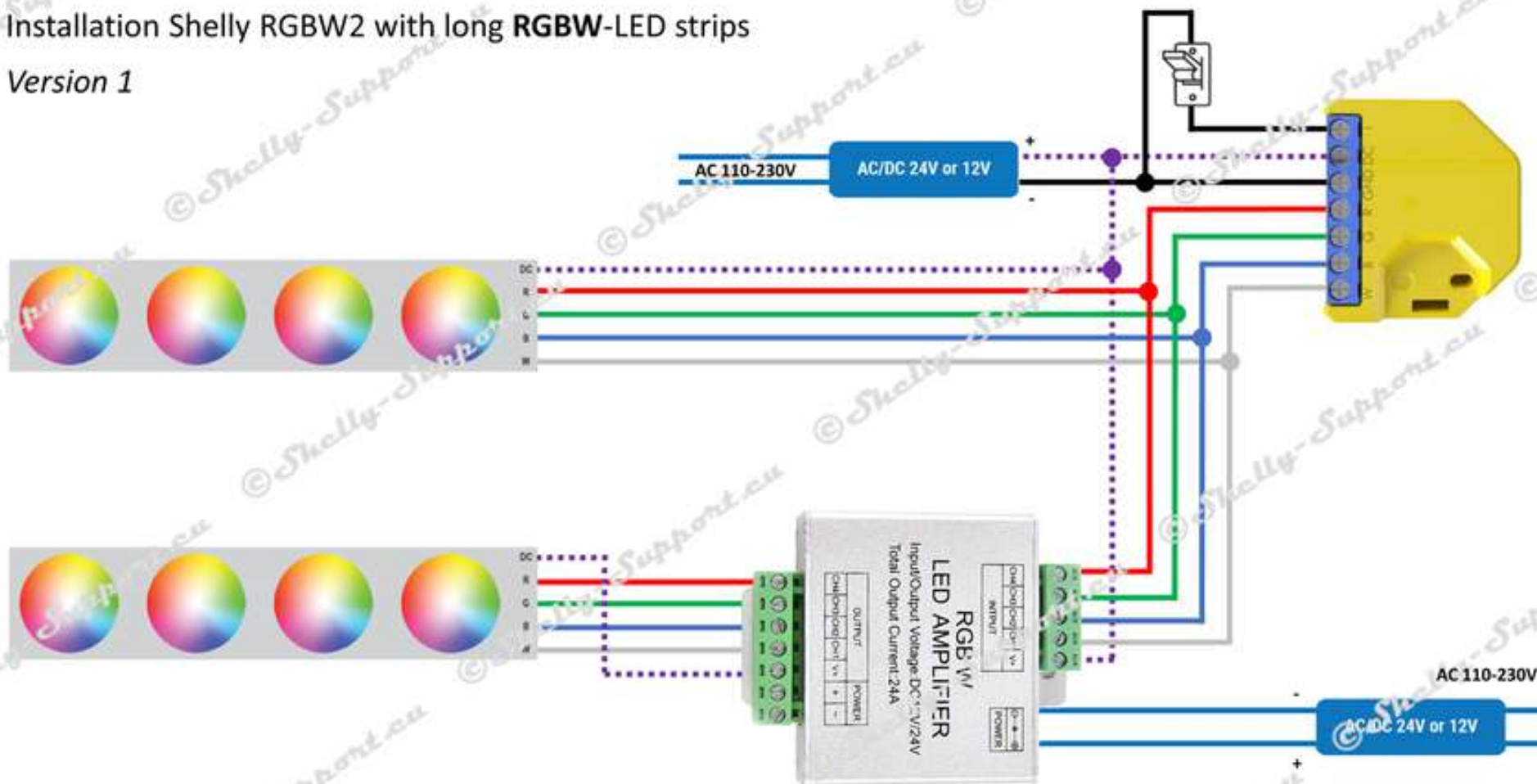
Installation Shelly RGBW2 with long RGBW-LED strips

Version 2



Installation Shelly RGBW2 with long RGBW-LED strips

Version 1



Shelly RGBW2